

BACK PRESSURE VALVES



FLOMOTION
SYSTEMS

SIGMAMOTOR



Provides higher accuracy and safety in metering pump systems

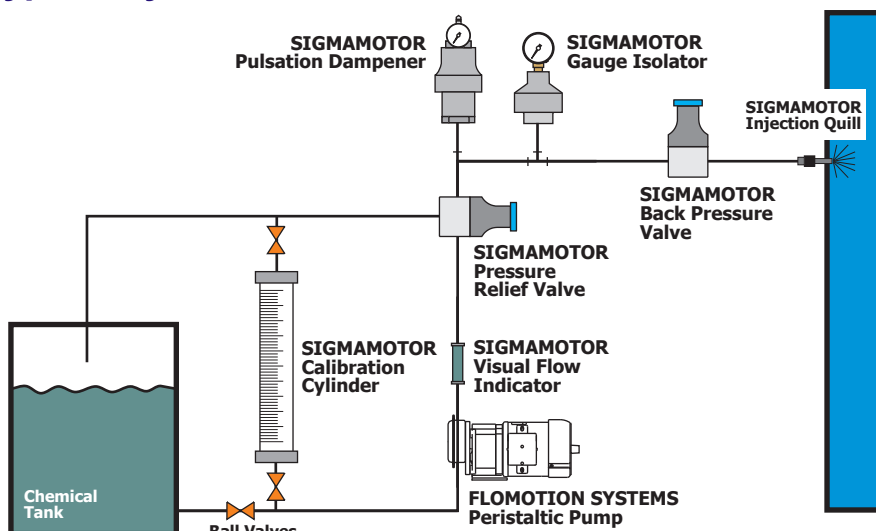
Back Pressure Valves

- CNC precision machined parts
- Fine pressure adjustment
- Cost effective and reliable
- Pressures from 5-150 psi (350 optional)
- Variety of materials available
- Anti-syphon protection
- Optional air release and pressure gauge port

SIGMAMOTOR Back Pressure Valves prevent siphoning and varying rates of dosage from fluctuating downstream pressure by enacting positive discharge pressure in your metering pump system. Inside the valve is a diaphragm held in place by a spring which is pressure set. When the pressure is exceeded the diaphragm is pushed up and material flows through the valve to the injection point. The valves are factory set but are easily adjusted in the field.



Typical System

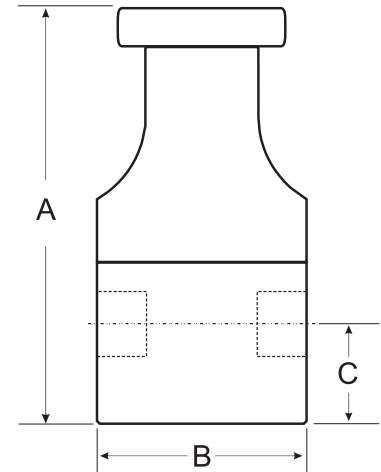


CHEMICAL FEED ACCESSORIES

B: - - -
 1 2 3 4

Example: B-N-250-P-V

DIMENSIONS



PROCESS CONNECTION TYPE			1
	5-150PSI SPRING WITH PVC TOP	50-350PSI SPRING WITH SS TOP*	
NPT	N	MN	
BSP	B	MB	
SOCKET	S	MS	
FLANGED	F	MF	
UNION	U	MU	
RIGHT ANGLE NPT	RN	RMN	
RIGHT ANGLE BSP	RB	RMB	
RIGHT ANGLE SOCKET	RS	RMS	
RIGHT ANGLE FLANGED	RF	RMF	
RIGHT ANGLE UNION	RU	RMU	

*Metal valves only

SIZE									2
Larger sizes upon request									
SELECT:	250	375	499	500	750	100	150	200	
NPT Size (in)	1/4	3/8	1/2 (mini)	1/2 (std.)	3/4	1	1-1/2	2	
A-Height (in)	Metal: 4.11 Plastic: 4.43		5.93			9.00			
B-Diameter (in)	2.34			3.45			4.00	4.45	
C-Process Centerline (in)	1.07			1.18			2.05		
Pulsating US GPH	100	200	350	500	600	600	1350	2000	
Contininuous US GPM	10	15	17.5	25	30	30	67	100	

VALVE BODY with PVC Top		3
PVC	P	
POLYPROPYLENE	PP	
CPVC	CP	
PTFE	T	
Kynar® PVDF	K	
316 SS	S	
ALLOY 20	A	
HASTALLOY C276	H	

OPTIONS		4
PTFE/EPDM Diaphragm, 5-150 psi Spring & PVC Top		
VITON Diaphragm		V
EPDM Diaphragm		E
PTFE / VITON Diaphragm		TV
0-50 PSI SPRING		L
50-350 PSI SPRING		H
CPVC TOP		CP
316 SS TOP		S
PVC AIR RELEASE		ARV

Material	Maximum Pressure	Maximum Temperature
PVC	150 psi	140 °F
CPVC	150 psi	195 °F
PP	150 psi	195 °F
PVDF	150 psi	300 °F
METAL	350 psi	300 °F

FLOMOTION SYSTEMS Inc.
 165 Creekside Drive, Suite 112
 Buffalo NY 14228-2103
 Tel: 716-691-3941
 Fax: 716-691-1253
 Email: info@flomotionsystems.com
 www.flomotionsystems.com

